

CLASSIC PLUS 1 group, Tall cup



Ref602977 (UCLASSIC1HPUL)

Traditional Espresso Machine

- 1 Group
- No Steam - Long Hot Water - Long teflon Steam
- Inox
- 110 V 1N 60~Hz 1,7kW
- UL/NSF Certified

General Features

The Classic is the perfect traditional espresso machine to guarantee top-quality espresso and consistency even in busy periods.

With elegant lines and reliable technologies appreciated by coffee professionals, the Classic is made even more attractive by its quality/price ratio. The Classic is available in 1, 2 or 3 group configurations.

CLASSIC PLUS 1 group, Tall cup

Main Features

- Maestro brew group: directly to boiler group heads are mounted for shot temperature stability.
- Large cup warming capacity: integrated cup warmer on the top of the machines.
- 4 programmable volume keys per group + Semi-automatic key for each group for manual control.
- Automatic cleaning program.
- The CLASSIC Elegant lines and reliable technologies appreciated by coffee professionals, the CLASSIC model is made more attractive by its quality/ price ratio. The CLASSIC is the perfect traditional espresso machine to ensure an excellent quality espresso result, and consistency even during the busiest periods of the day.
- Heavy duty components and welded construction, a direct mounted boiler group head for thermal stability and reliable extraction, easy access to components for uncomplicated servicability, and unlimited steam.
- The tall cup configuration allows the barista to easily prepare large size drinks according to the larger cup clearance available.
- Manual Steamglide lever.
- Manual hot water outlet.

Construction

- Built-in cup warmer.

Optional Accessories

- | | | |
|----------------------|------------|--------------------------|
| • - NOT TRANSLATED - | PNC 871010 | <input type="checkbox"/> |
| • - NOT TRANSLATED - | PNC 871011 | <input type="checkbox"/> |
| • - NOT TRANSLATED - | PNC 871012 | <input type="checkbox"/> |
| • - NOT TRANSLATED - | PNC 871013 | <input type="checkbox"/> |
| • - NOT TRANSLATED - | PNC 871017 | <input type="checkbox"/> |
| • - NOT TRANSLATED - | PNC 871018 | <input type="checkbox"/> |
| • - NOT TRANSLATED - | PNC 871019 | <input type="checkbox"/> |

CLASSIC PLUS 1 group, Tall cup

Electric

Supply voltage:

602977
(UCLASSIC1HPUL) 110 V/1 ph/60 Hz

Electrical power, max: 1.7 kW

Plug type:

Water:

Cold water temperature
(min/max): 5 / 60 °C

Key Information:

External dimensions,
Width: 13 1/2" (343 mm)

External dimensions,
Depth: 22 3/8" (568 mm)

External dimensions,
Height: 25 9/16" (650 mm)

External dimensions,
Weight: 99 lbs (45 kg)

Net weight: 99 lbs (45 kg)

Shipping width: 19 11/16" (500 mm)

Shipping depth: 29 1/2" (750 mm)

Shipping height: 33 1/16" (840 mm)

Shipping weight: 121 lbs (55 kg)

Shipping volume: 0.3 m³

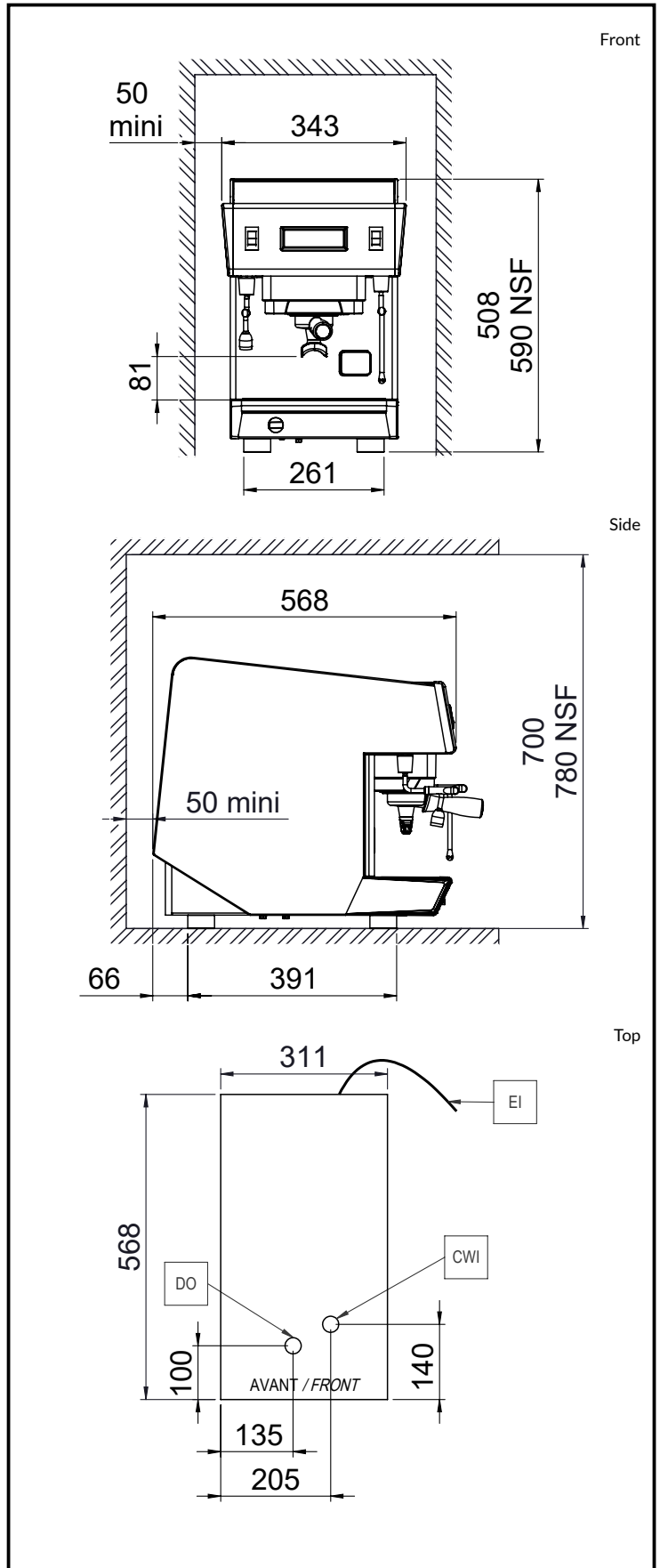
Certifications



The company reserves the right to make modifications to the products without prior notice. All information correct at time of printing.

2025.01.18

Part of  Electrolux
Professional
Group



UNIC